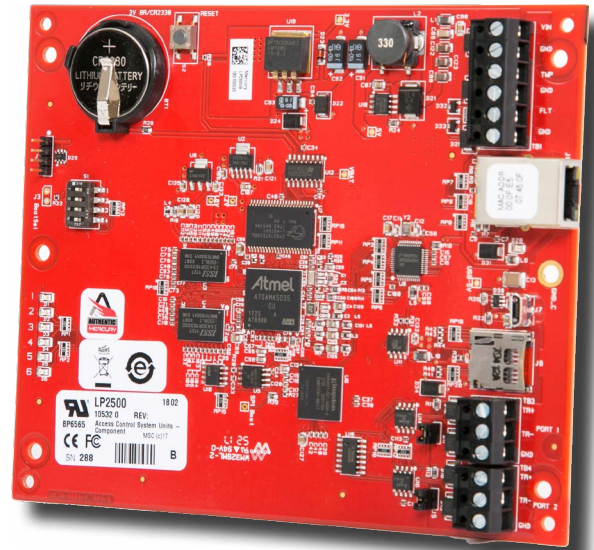


LP Series - AC-MER-CONT-LP2500 Master Intelligent Controller

The Avigilon Access Control Manager (ACM) system supports open field hardware from Mercury Security allowing organizations to leverage investments in non-proprietary field hardware, with retrofit programs available for industry standard multi-device interface panels, power and communication controller boards, and intelligent controllers. The new Authentic Mercury LP Series Intelligent Controllers are Mercury Security's enhanced platform that offers an improved processor and increased memory, plus feature an embedded crypto memory chip that provides a secured layer of encryption to onboard sensitive data.

The AC-MER-CONT-LP2500 is a powerful intelligent controller with native network support and is scalable to 64 doors/openings. Capable of elaborate processes and procedures without host intervention, the intelligent controller, once programmed, can function independently of the host.



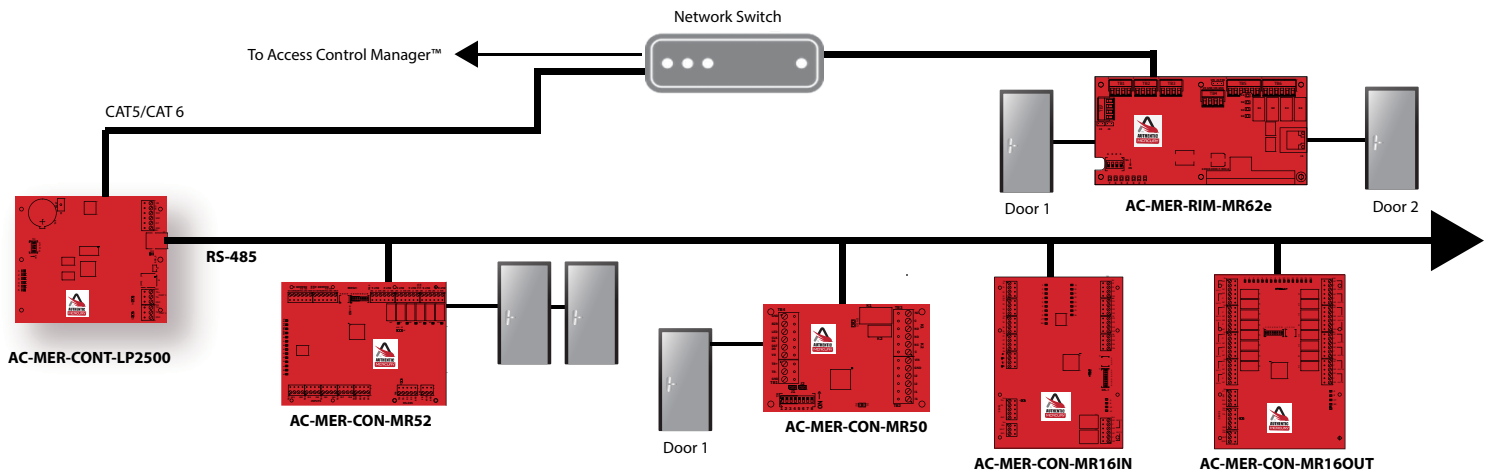
KEY FEATURES

- Enhanced Security: Embedded crypto memory chip and data at rest encryption provides secured layer of protection of sensitive data
- Host communications protected by TLS 1.2/1.1
- Controller/IO Expansion connection protected by AES (Series 3 SIO)
- Port based network access control using 802.1X
- FIPS 140-2 user of OpenSSL
- Encrypted database with configurable sizing



Specifications

TECHNICAL SPECIFICATIONS	Access Control	380,136 cardholder capacity 50,000 transaction buffer Supports up to 2 RS-485 IO protocols 16 access levels per cardholder Cardholder - 19 Digit (64 Bit) User ID with 8 digit PIN MAX Activation/Deactivation	If/Then macro capabilities Anti-passback support Nested, area, hard, soft and timed forgiveness Adjustable cardholder capacity Supports up to 512 inputs or 512 outputs
	Door Control	Natively does not support any readers or openings Use in conjunction with IO expansion modules to support up to 64 readers and openings	
	Primary Power	12 to 24 Vdc ± 10%, 250 mA maximum (USB port current not included)	
	Micro USB Port	5 Vdc, 500 mA maximum (add 270 mA to primary power current)	
	Battery	Memory/ Clock Backup: 3 Volt Lithium, type BR2330 or CR2330	
	microSD Card	Format: microSD or microSDHC; 2GB to 8GB	
	Host Comm.	Ethernet: 10-BaseT/100Base-TX and Micro USB port (2.0) with optional adapter: pluggable model USB2-OTGE100	
	Serial I/O Device	Two each: 2-wire RS-485, 2,400 to 115,200 bps, asynchronous, half-duplex, 1 start bit, 8 data bits, and 1 stop bit	
	Inputs	Two unsupervised dedicated for cabinet tamper and UPS fault monitoring	
CABLE REQUIREMENTS	Power and Relays	1 twisted pair, 18 to 16 AWG	
	Ethernet	CAT-5, minimum	
	Reader RS-485	1 twisted pair, shielded, 120 ohm impedance, 24 AWG, 4,000 ft. (1,219 m) maximum cable length	
ENVIRONMENTAL	Temperature	-55 to 85 °C storage, 0 to 70 °C, operating	
	Humidity	5 to 95% RHNC	
MECHANICAL	Dimensions	5 in. (127 mm) W x 6 in. (152.4 mm) L x 1 in. (25 mm) H	
	Weight	4.1 oz. (115 gm) nominal, board only	
COMPLIANCE	Product Compliance	UL294 Recognized, FCC Part 15 Class A, CE Compliant, RoHS, NIST Certified Encryption	



ORDERING INFORMATION	AC-MER-CONT-LP2500	LP Series - AC-MER-CONT-LP2500 - Master Intelligent Controller
-----------------------------	--------------------	--