

Roger Access Control System

MC16-PAC-3-KIT and MC16-PAC-4-KIT Installation Manual

Firmware version: n/a

Document version: Rev. A



This document contains minimum information that is necessary for initial setup and installation of the kit. The detailed description of configuration parameters and functionalities of all components is specified in respective Operating manuals available at www.roger.pl.

INTRODUCTION

MC16-PAC-3-KIT is designed to control three doors while MC16-PAC-4-KIT is designed to control four doors in RACS 5 system. All doors can be read-in or read-in/out type when equipped with MCT series readers (RS485). The kit includes respectively MC16-PAC-3 or MC16-PAC-4 access controller, MCX4D expander and ME16 metal box with PS4D power supply unit. The box is adapted to installation of 17Ah battery for emergency supply. All elements of controlled door including readers and door locks can be supplied from the kit.

CONFIGURATION WITH ROGERVDM PROGRAM

Low level configuration with RogerVDM software mainly concerns MC16 controller. Additionally it is necessary to define individual addresses for MCT series readers according to their installation manuals.

MC16 programming procedure with RogerVDM software:

1. Connect the controller to Ethernet network and define the IP address of your computer in the same subnetwork as the controller with 192.168.0.213 default IP address.
2. Start RogerVDM program, select *MC16 v1.x* device, the latest firmware version and *Ethernet* communication channel.
3. Select from the list or enter manually the IP address of controller, enter 1234 communication key and start the connection with the controller.
4. In the top menu select *Tools* and then *Set communication key* to define your own password for the controller.
5. In the main window specify your own IP address of the controller.
6. Optionally enter comments for controller and its object to facilitate their identification during further configuration of the system.
7. Optionally backup settings clicking *Send to File...*
8. Click *Send to Device* to update the configuration of controller and disconnect by selection of *Device* in the top menu and then *Disconnect*.

MEMORY RESET

Memory reset procedure resets all settings to default ones and results in 192.168.0.213 IP address and empty communication key.

MC16 memory reset procedure:

1. Disconnect power supply
2. Short CLK and IN4 lines.
3. Restore power supply, all LEDs will flash and wait min. 6s.
4. Remove connection between CLK and IN4 lines, LEDs will stop pulsating and LED2 will be on.
5. Wait approx. 1.5 min till LED5+LED6+LED7+LED8 are pulsating.
6. Restart the controller (switch power supply off and on)
7. Start RogerVDM and make low level configuration.

FIRMWARE UPDATE

New firmware can be uploaded to the controller with RogerVDM software. The latest firmware file is available at www.roger.pl.

MC16 firmware update procedure:

1. Connect with the controller using RogerVDM software.
2. Backup settings by clicking *Send to File...*
3. In the top menu select *Tools* and then *Update firmware*.
4. Select firmware file and then click *Update*.
5. After firmware update wait till LED8 is pulsating.
6. Make or restore low level configuration in RogerVDM software.

Note: During the firmware update process, it is necessary to ensure continuous and stable power supply for the device. If interrupted, the device may require repair by Roger.

POWER SUPPLY

The kit is supplied from PS4D power supply unit. The metal box offers space for installation of typical 17Ah backup battery which is connected to BAT+ and BAT- terminals of MCX4D expander.

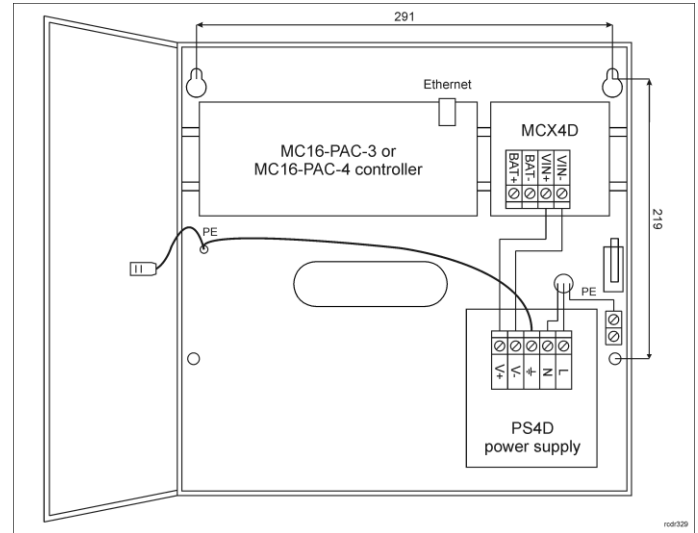


Fig. 1 MC16-PAC-3-KIT or MC16-PAC-4-KIT

	The installation can be done only by qualified person with all necessary certificates concerning connection and maintenance of 230VAC and low voltage networks.
	Prior to starting the installation it is necessary to ensure that 230 VAC circuit is disconnected. All works inside the box must be carried out with 230VAC supply voltage disconnected.
	It is forbidden to use the kit without properly executed and operational earthing system.

TAMPER DETECTOR

The metal box is equipped with door contact which can be connected to one of the inputs (e.g. IN8) and GND terminal of the controller. The anti-sabotage function can be assigned to the input within high level configuration of the system.

APPENDIX

Table 1. MC16 screw terminals	
Name	Description
BAT+, BAT-	Not used in kit
AC, AC	Not used in kit
AUX-, AUX+	12VDC input power supply
TML-, TML+	Not used in kit
IN1-IN8	Input lines
GND	Ground
OUT1-OUT6	15VDC/150mA transistor output lines
A1,B1	RS485 bus
CLK, DTA	Not used in kit
A2,B2	Not used
NO1, COM1, NC1	30V/1.5A DC/AC (REL1) relay
NO2, COM2, NC2	30V/1.5A DC/AC (REL2) relay

Table 2. MCX4D screw terminals	
Name	Description
BAT+, BAT-	Backup battery
VIN+, VIN-	13.8VDC input power supply
AUX+, AUX-	13.8VDC/0.2A output power supply (for general purpose)
VOUT+, VOUT-	13.8VDC/0.2A output power supply (for controller)
A, B	RS485 bus (for controller)
Ax, Bx	RS485 bus (for readers)
TMLx+, TMLx-	13.8VDC/0.2A output power supply (for readers)
VDRx+, VDRx-	13.8VDC/1.0A output power supply (for door lock)
LCKx	15VDC/1A transistor output line (door lock)

BELLx	15VDC/1A transistor output line (alarm signalling device)
DCx	Input line (door contact)
DRx	Input line (exit button)

Name	Description
LED1	Normal mode
LED2	Service mode
LED3	Pulsating: Low level configuration error ON: High level configuration error
LED4	No memory card or memory card error
LED5	Event log error
LED6	License error
LED7	Not used
LED8	Pulsating: Proper functioning of the controller

Supply voltage	230VAC, 50/60Hz (-15%+10%)
Power supply	PS4D 13.8VDC/5.4A
Short circuit and overload protection	Yes
Metal box	DC01 0.7mm metal sheet, white colour (RAL9003)
Tamper protection	NO/NC detector, 50VDC/50mA
Distances	Up to 150 m between kit and readers
IP Code	IP20
Environmental class (acc. to EN 50133-1)	Class I, indoor general conditions, temperature: +5°C to +40°C, relative humidity: 10 to 95% (no condensation)
Dimensions H x W x D	305 x 325 x 100 mm
Weight	3.2 kg
Certificates	CE

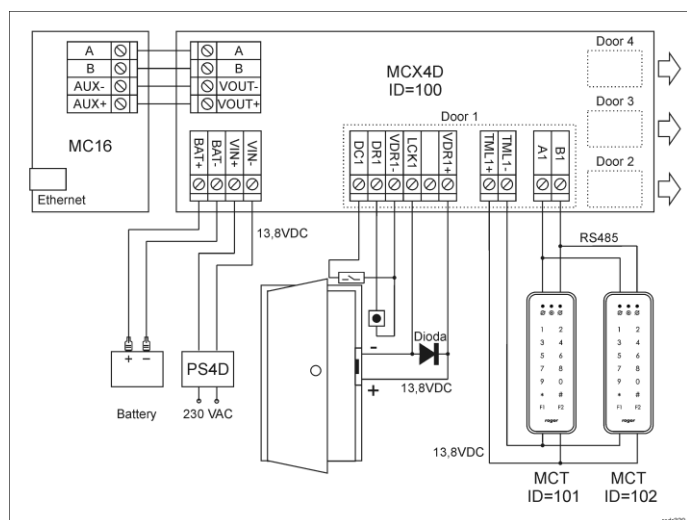
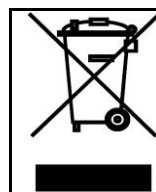


Fig. 2 Typical control of doors with MCT readers

Notes:

- All MCT readers connected to the MCX4D expander must have unique addresses on RS485 bus in range of 101-115 (assuming that expander is operated with default ID=100 address).
- In case of read-in door, single reader is connected to the controller within particular door.
- Diagrams include doors with electric strikes. In case of electromagnetic lock, the polarity of LCKx output must be changed within low level configuration of MCX4D expander by means of RogerVDM software.
- Diagrams include exit buttons. In case of read-in/out doors they can be used for emergency door opening.
- In case of 17Ah backup battery it is recommended to configure 600mA battery charging current by means of jumper on MCX4D board.



This symbol placed on a product or packaging indicates that the product should not be disposed of with other wastes as this may have a negative impact on the environment and health. The user is obliged to deliver equipment to the designated collection points of electric and electronic waste. For detailed information on recycling, contact your local authorities, waste disposal company or point of purchase. Separate collection and recycling of this type of waste contributes to the protection of the natural resources and is safe to health and the environment. Weight of the equipment is specified in the document.

Contact:
Roger Sp. z o. o. sp. k.
 82-400 Sztum
 Gościszewo 59
 Tel.: +48 55 272 0132
 Fax: +48 55 272 0133
 Tech. support: +48 55 267 0126
 E-mail: biuro@roger.pl
 Web: www.roger.pl